



F2P 015-030 Series T-Type Hydraulic Filter Assemblies

High-Pressure Hydraulic Filter Assemblies



Features

- 6,000 psi (414 bar) operating pressure
- Element collapse ratings of 300 & 3000 psid (21 & 207 bar)
- 15, 25 & 30 gpm (57, 95 & 114 lpm) nominal flow rates
- SAE -12 or SAE -16 ports
- Elements available with Bx(c) \geq 1000 Glas-Tech III[®] media
- Optional DryPak[®] moisture control media
- Optional thermal lockout
- Valve options include - bypass & no bypass



Technical Data

- **Pressure & Temperature Rating**
 - Operating Pressure: 6,000 psi (414 bar)
 - Proof Pressure: 9,000 psi (621 bar)
 - Burst Pressure: 12,000 psi (828 bar)
 - Operating Temperature: -40°F to +250°F (-40°C to +121°C)
- **Materials of Construction**
 - Head: Ductile Iron
 - Bowl: Steel
- **Bypass Options**
 - Bypass Valve Setting: 100 psid (6.9 bar) ±10%
- **Differential Pressure Indicators**
 - Visual Indicator : 75 psid (5.2 bar) ±10% activation, manual reset
 - Visual Electrical Indicator: 75 psid (5.2 bar) ±10% activation
12 to 220 Volt AC/DC, 2.5 AMP, 60VA, 40W
Contacts - SPDT NO or NC, DIN Connector
 - Thermal Lockout Options: Lockout below 70°F (21°C)*
Release above 95°F (35°C)*
* Thermal lockout of electrical signal only
- **Seal Material Options**
 - Seal Material: Buna
Viton®
Ethylene Propylene

Elements

PTI filter elements are manufactured with the highest quality materials. PTI filter elements feature multi-layer construction for increased dirt-holding capacity and low pressure drop. PTI elements provide cost-effective contamination control for the most demanding applications. All elements are tested to the latest industry standards including ISO 16889 procedure for multipass efficiency.

Filtration Rating

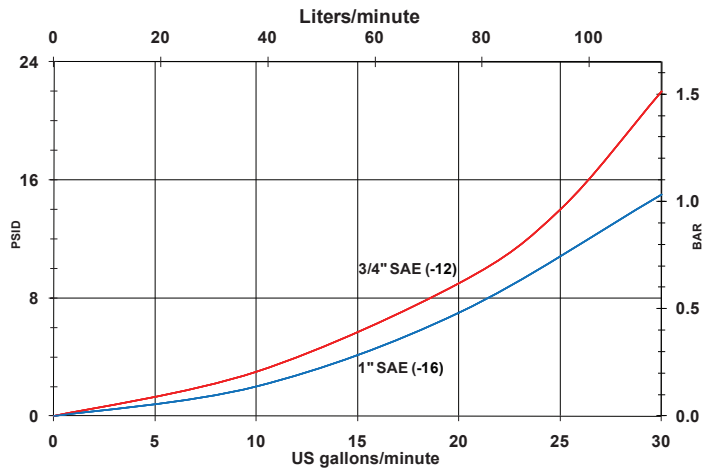
Multipass test results per old ISO 4572 and new ISO 16889 test procedures.
Particle size (x) in microns at which the Beta Ratio (β) is greater than or equal to the indicated value (200 or 1000).

Code	Per ISO 4572	Per ISO 16889	
	$\beta_x \geq 200$	$\beta_{x(c)} \geq 200$	$\beta_{x(c)} \geq 1000$
G	3μm	5μm	7μm
H	6μm	7μm	9μm
K	12μm	12μm	15μm
J	23μm	21μm	24μm

The PTI Technologies F2P series of high pressure hydraulic filter assemblies utilize PG series filter elements. Please see the PG series filter element brochure for flow vs. pressure drop data and other media options.

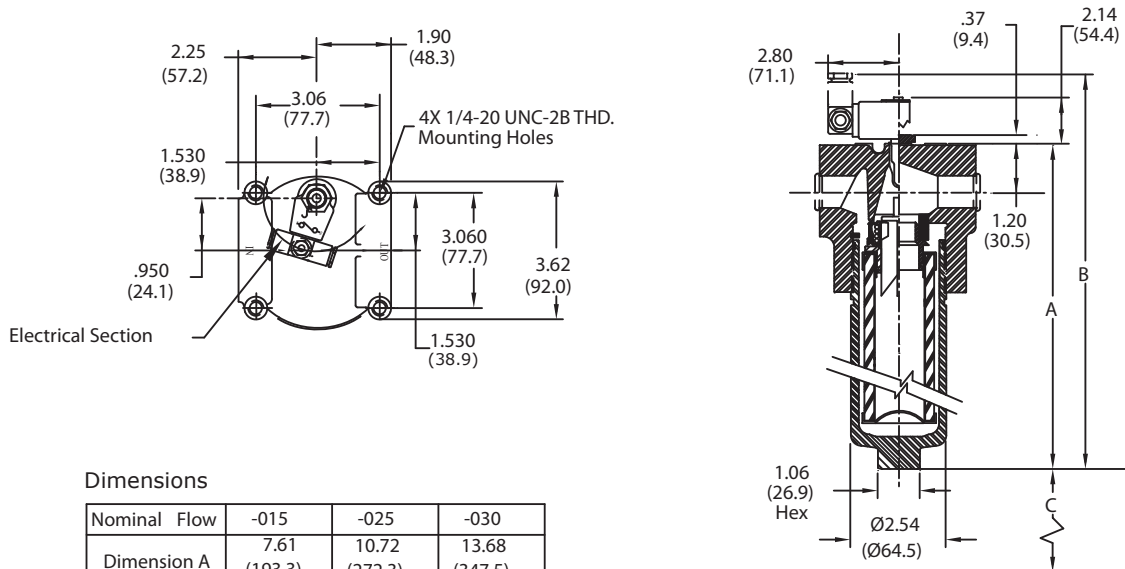
Flow Rate/Pressure Drop Curves

F2P 015-025-030 Housings - Flow vs Pressure Drop



The PTI Technologies F2P series of high pressure hydraulic filter assemblies utilize PG series filter elements. Please see the PG series filter element brochure for flow vs. pressure drop data.

Dimensions in Inches (mm)



Dimensions

Nominal Flow	-015	-025	-030
Dimension A	7.61 (193.3)	10.72 (272.3)	13.68 (347.5)
Dimension B	10.06 (255.5)	13.42 (341.0)	16.15 (410.2)
Dimension C	2.50 (63.5) Bowl Removal Clearance		

Filter Assembly Weight

Filter Assembly (Housing & Element) Weight

Size	015	025	030
Weight	8.4 lbs (3.8 kg)	9.2 lbs (4.1 kg)	10.4 lbs (4.7 kg)

Ordering Information

Assembly:

F2P	XXXX	X	-	X	X	X	X	X	X
TBL 1	TBL 2	TBL 3	TBL 4	TBL 5	TBL 6	TBL 7	TBL 8	TBL 9	

Code	Nominal Flow
015	15 gpm (57 lpm)
025	25 gpm (95 lpm)
030	30 gpm (114 lpm)

Viton® is a registered trademark of DuPont Performance Elastomers

Code	Micron Rating	Media
N	No Filter Element	

Code	Collapse Rating
H	300 psid (21 bar)
U	3,000 psid (207 bar)
N	No Filter Element

Code	Material
B	Buna N
V	Viton®
E	Ethylene Propylene

Code	Option
L	3/4" SAE (-12)
M	1" SAE (-16)

Code	Option
O	None
T*	Thermal Lockout - NO
U*	Normally Closed - NC

*Only available for M Series Indicator (See Table 7)

*Thermal Lockout of Electrical signal only

Code	Option
P	None (Boss Plugged)
D	Visual 75 psid (5.2 bar) ±10%
M	Visual/Electrical 75 psid (5.2 bar) ±10%

Code	Option
N	Non-Bypass
L	100 psid (6.9 bar)

Code	Option
N	None

Element:

Sold separately, see PG element series brochure

PG -	XXX	-	X	-	X
TBL 1	TBL 2	TBL 3	TBL 4		

Code	Nominal Flow
015	15 gpm (57 lpm)
025	25 gpm (95 lpm)
030	30 gpm (114 lpm)

Code	Micron Rating	Media
G	$\beta_{7(c)} \geq 1000$	Glas-Tech III®
H	$\beta_{9(c)} \geq 1000$	Glas-Tech III®
K	$\beta_{15(c)} \geq 1000$	Glas-Tech III®
J	$\beta_{24(c)} \geq 1000$	Glas-Tech III®

Code	Collapse Rating
H	300 psid (21 bar)
U	3,000 psid (207 bar)

Code	Option
Omit	Standard Element
W	DryPak® Configuration

For more info email: fluidpower@ptitechnologies.com



PTI Technologies Inc.
501 Del Norte Boulevard
Oxnard, California 93030
800-331-2701 • 805-604-3700
www.ptitechnologies.com



©2021 An ESCO Technologies Company All Rights Reserved.

PTI Technologies Inc is certified to ISO standards