



# F4E 030-040 Series Spin-On Filter Assemblies

For Hydraulic and Lube Oil Applications

## Features

- Operating pressure 200 psi (14 bar)
- Element collapse rating of 75 psid (5 bar)
- Static burst pressure 400 psi (28 bar)
- 30 & 40 gpm (114 & 151 lpm) nominal flow rates
- Elements available with cellulose media
- NPT or SAE straight thread ports
- Optional visual indicator
- Interchangeable with competitive spin-ons

## Technical Data

### Pressure & Temperature Rating

Operating Pressure:	200 psi (14 bar)
Burst Pressure:	400 psi (28 bar)
Operating Temperature:	-40°F to +250°F (-40°C to +121°C)

### Materials of Construction

Head:	Aluminum
Spin-on Can:	Steel

### Bypass Options

Bypass Valve Setting:	3 psid (0.2 bar) ±10%
	25 psid (1.7 bar) ±10%
	No bypass

### Differential Pressure Indicators

Visual Indicator :	18 psid (1.2 bar) ±10% activation
--------------------	-----------------------------------

### Seal Material Options

Seal Material:	Buna
	Viton®

### Filter Assembly (Housing & Element) Weight

Size	030	040
Weight	1.75 lbs (0.80 kg)	1.95 lbs (0.88 kg)

*A more robust  
and reliable  
filter assembly*

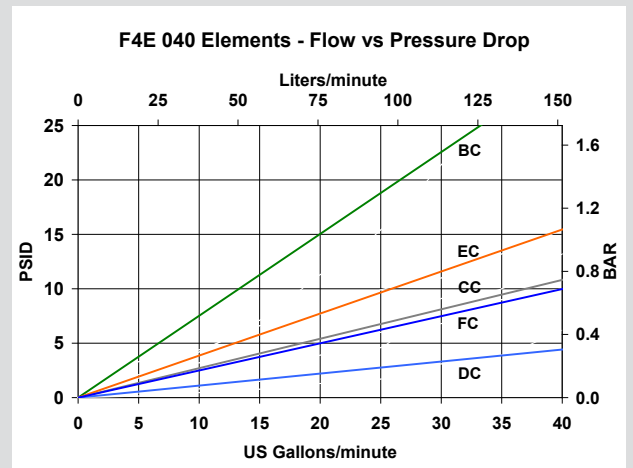
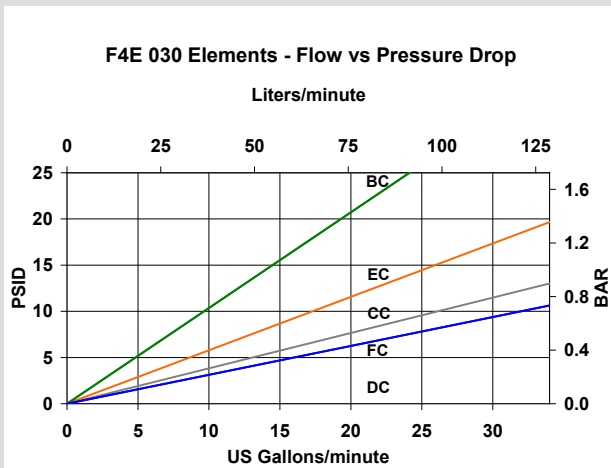
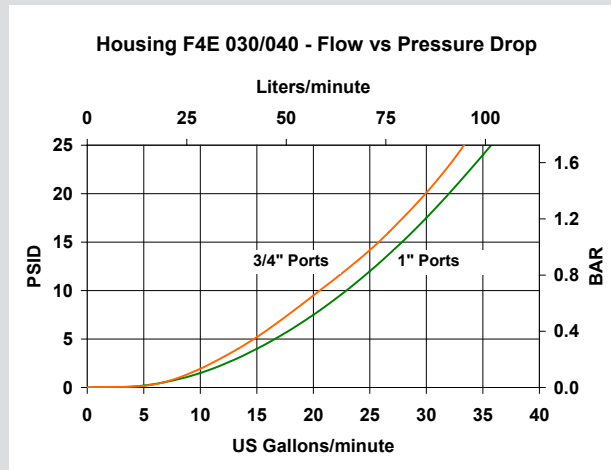


## Elements

PTI filter elements are manufactured with the highest quality materials. PTI filter elements feature multi-layer construction for increased dirt-holding capacity and low pressure drop. PTI elements provide cost-effective contamination control for the most demanding applications. All elements are tested to the latest industry standards including ISO 16889 procedure for multipass efficiency testing.

Filtration Rating		
Code	Micron Rating	Media
B	3 µm	Cellulose
C	10 µm	Cellulose
D	25 µm	Cellulose
E	10 µm	Water Removal
F	25 µm	Water Removal

## Flow Rate/Pressure Drop Curves

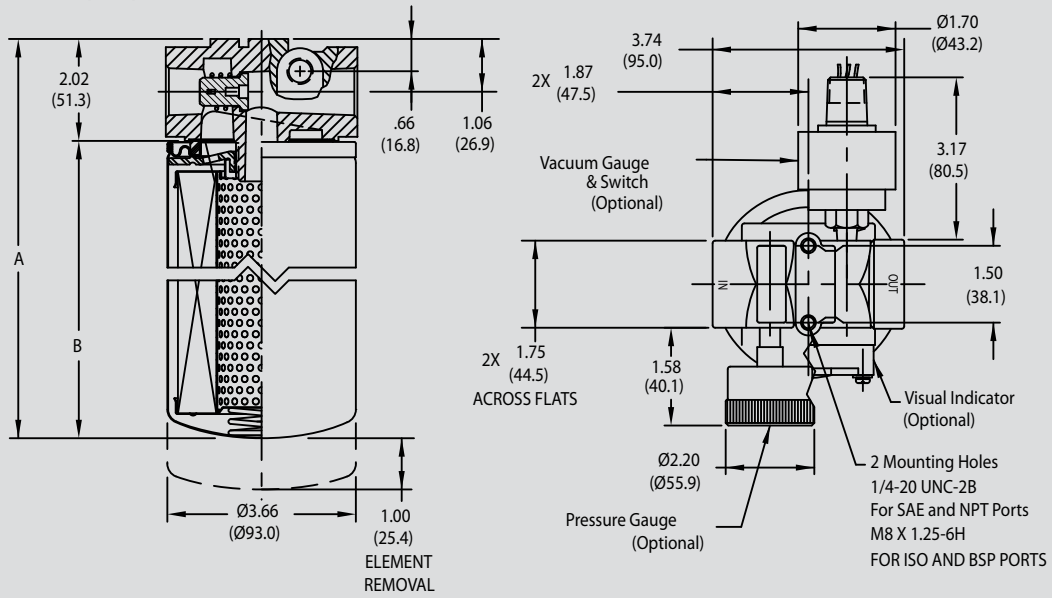


Pressure drop curves are based on 150 SUS (32 cSt) petroleum base hydraulic fluid of 0.9 S.G.

$$\text{Filter Assembly } \Delta P = \text{Housing } \Delta P + \text{Element } \Delta P$$

## Assembly Dimensions\*

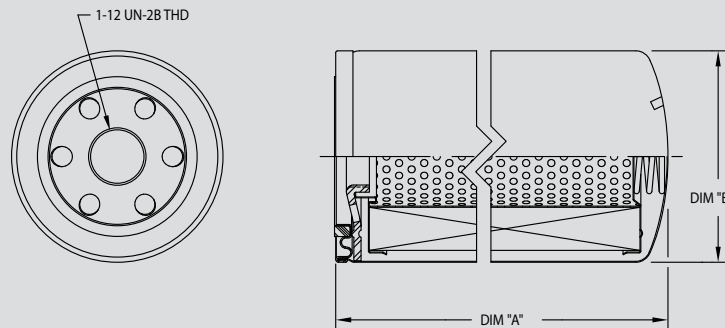
\* Dimensions in inches (mm)



Nominal Flow	-030	-040
Dimension A	7.3 (185)	10.5 (268)
Dimension B	5.3 (135)	8.6 (218)

## Element Dimensions\*

\* Dimensions in inches (mm)



Nominal Flow	-030	-040
Dimension A	5.3 (135)	8.6 (218)
Dimension B	3.7 (93)	3.7 (93)

## Ordering Information

Assembly:

F4E	XXX	-	X	X	-	X	X	X	X	X	X	X
TBL 1	TBL 2	TBL 3	TBL 4	TBL 5	TBL 6	TBL 7	TBL 8	TBL 9				

**Table 1** Size

Code	Nominal Flow
030	30 gpm (114 lpm)
040	40 gpm (151 lpm)

**Table 2** Filtration Rating

Code	Micron Rating	Media
B	3 µm	Cellulose
C	10 µm	Cellulose
D	25 µm	Cellulose
E	10 µm	Water Removal
F	25 µm	Water Removal
N	No Filter Element	

**Table 3** Collapse

Code	Collapse Rating
C	75 psid (5 bar)
N	No Filter Element

**Table 4** Seals

Code	Material
B	Buna
V	Viton®

Viton® is a registered trademark of DuPont Performance Elastomers

**Table 5** Port

Code	Option
D	3/4" NPT
E	1" NPT (female)
L	3/4" SAE (-12)
M	1" SAE (-16)

**Table 6** Gauge Options

Code	Option
0	None
2	Vacuum Gauge
3	Vacuum Switch
5	Color Coded Gauge
6	Pressure Switch

**Table 7** Indicators & Ports

Code	Option
L	Visual 18 psid (1.2 bar) ± 10%
3	4 x 1/8" NPT Ports
N	None

Indicator located on Right side when looking at inlet port

**Table 8** Valve Options

Code	Option
N	Non-Bypass
F	25 psid (1.7 bar)
R	3 psid (0.2 bar)

**Table 9** Gauge Loc

Code	Option
* R	Right Side
* L	Left Side
N	None

\* when looking at inlet port

Element:

F4E-	XXX	-	X	X	-	X
TBL 1	TBL 2	TBL 3	TBL 4			

**Table 1** Size

Code	Nominal Flow
030	30 gpm (114 lpm)
040	40 gpm (151 lpm)

**Table 2** Filtration Rating

Code	Micron Rating	Media
B	3 µm	Cellulose
C	10 µm	Cellulose
D	25 µm	Cellulose
E	10 µm	Water Removal
F	25 µm	Water Removal

**Table 3** Collapse

Code	Collapse Rating
C	75 psid (5 bar)

**Table 4** Seals

Code	Material
B	Buna
V	Viton®

Viton® is a registered trademark of DuPont Performance Elastomers

